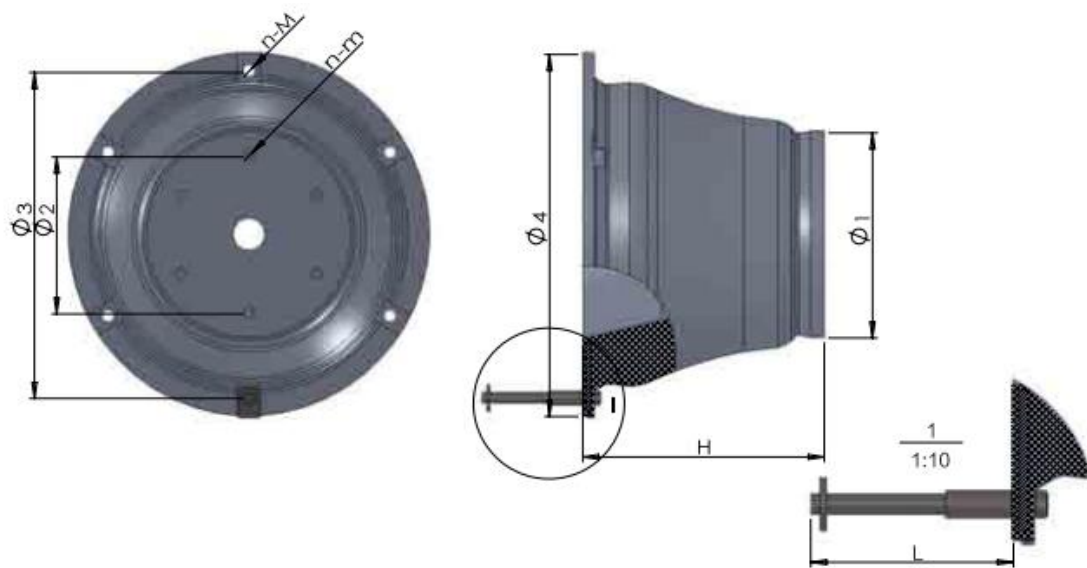


Cone fender

Cone rubber fender Description:

Cone fender has a conical body which allows the deflection up to 70%. it has a outstanding energy absorption per fender weight and hence reduce the cost of dock construction project. UHMW pad could be fitted in front of the panel to reduce shear force and hull pressure. Cone fender is widely used at various terminals like oil&gas, Ferry & RoRo,Cruise,General Cargo,Container & Bulk etc.

Cone rubber fender specification&dimension:



Serial No.	H(mm)	$\Phi 1$ (mm)	$\Phi 2$ (mm)	$\Phi 3$ (mm)	$\Phi 4$ (mm)	n-m	n-M	Weight(kg)
WF-C500	500	425	325	675	750	4XM24	4XM30	140
WF-C600	600	510	390	810	900	6XM24	6XM30	232
WF-C700	700	595	455	945	1050	6XM30	6XM38	395
WF-C800	800	680	520	1080	1200	6XM36	6XM44	540
WF-C900	900	765	585	1215	1350	6XM36	6XM44	760
WF-C1000	1000	850	650	1350	1500	6XM42	6XM50	1015
WF-C1100	1100	935	715	1485	1650	6XM42	6XM50	1505
WF-C1150	1150	998	750	1550	1725	6XM42	6XM50	1600
WF-C1200	1200	1020	780	1620	1800	8XM42	8XM50	1960
WF-C1300	1300	1105	845	1755	1950	8XM48	8XM60	2400
WF-C1400	1400	1190	930	1890	2100	8XM48	8XM60	3060
WF-C1600	1600	1360	1060	2160	2400	8XM48	8XM60	4600
WF-C1800	1800	1530	1190	2430	2700	10XM56	10XM70	6600